

CHANGZHOU XINGGAN DRYING EQUIPMENT CO.,LTD

Tel: +86-519-88900188    Mobile: +8618661216636

Wechat: zlx635771893    E-mail: franklxz@xggz.com

Web: <https://www.stardrying.com/>

# ZLG Series Vibrating Fluid-Bed Dryer



## Description

The material enters the machine from the feed inlet. Under the action of vibration, the material is thrown along the horizontal fluidized bed and moves forward continuously. After the hot air passes through the fluidized bed and exchanges heat with the wet material, the wet air passes through the cyclone separator to remove dust. It is discharged by the exhaust air 1:3, and the dry materials are discharged from the discharge inlet.

## Application

This machine is applicable for drying and cooling powdery and granular materials in chemical, pharmaceutical, food, dehydrated vegetables, grain, mineral and other industries. Such as: citric acid, monosodium glutamate, borax, ammonium sulfate, compound fertilizer, shredded radish, soybean meal, distillers grains, seeds, slag, sugar and so on.

## Features

- 1、 Vibration source is driven by vibration motor, smooth operation, easy maintenance, low noise, long life.
- 2、 Fluidized symmetry, no dead gaps and broken phenomenon, which enable uniform dried and cooled products

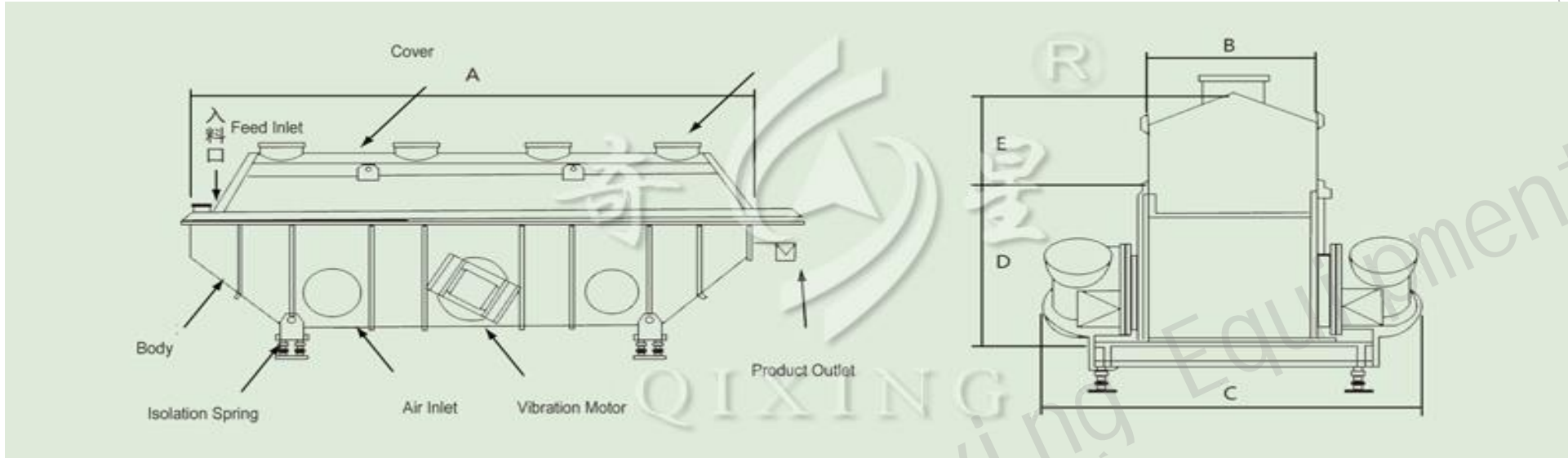
- 3、 Adjustable, wide scope of application. Material thickness, speed of movement within the machine and total amplitude can all achieve stepless adjustment.
- 4、 Small damage to the surface of the material, available for drying of friable material, when irregular particles will not affect work results.
- 5、 Totally enclosed structure, effectively preventing cross infection between the material and the air.
- 6、 Clean working environment.
- 7、 High mechanical efficiency and thermal efficiency, perfect energy-saving effect, about more 30 %-60 % energy than average drying device .with 30 %-60 % energy saved comparing with average drying devices.

## TECHNICAL PARAMETERS

Item / Model	A	B	C	D	E	F	Weight(kg)
ZLG3×0.30	3000	300	1350	900	430	1650	1250
ZLG4.5×0.30	4500	300	1350	900	430	1650	1250
ZLG4.5×0.45	4500	450	1550	950	430	1700	1670
ZLG4.5×0.60	4500	600	1650	950	430	1700	1670
ZLG6×0.45	6000	450	1650	950	430	1700	2100
ZLG6×0.60	6000	600	1700	1000	500	1700	2410
ZLG6×0.75	6000	750	1850	1000	600	1850	2840
ZLG6×0.9	6000	900	2000	1000	600	1850	3160
ZLG7.5×0.60	7500	600	1850	1000	600	1850	3200
ZLG7.5×0.75	7500	750	2000	1000	600	1850	3600
ZLG7.5×0.9	7500	900	2100	1000	600	1850	4140
ZLG7.5×1.2	7500	1200	2500	1150	800	2050	5190

Item / Model	Area of Fluidized Bed (m <sup>2</sup> )	Inlet Air Temperature (°C)	Outlet Air Temperature (°C)	Water Evaporation Capacity (kg)	Vibration Motor	
					Model	Power(kw)
ZLG3×0.30	0.9	70-140	40-70	20-35	ZDS31-6	0.8×2
ZLG4.5×0.30	1.35	70-140	40-70	35-50	ZDS31-6	0.8×2
ZLG4.5×0.45	2.025	70-140	40-70	50-70	ZDS32-6	1.1×2
ZLG4.5×0.60	2.7	70-140	40-70	70-90	ZDS32-6	1.1×2
ZLG6×0.45	2.7	70-140	40-70	80-100	ZDS41-6	1.5×2
ZLG6×0.60	3.6	70-140	40-70	100-130	ZDS41-6	1.5×2
ZLG6×0.75	4.5	70-140	40-70	120-140	ZDS42-6	2.2×2
ZLG6×0.9	5.4	70-140	40-70	140-170	ZDS42-6	2.2×2
ZLG7.5×0.60	4.5	70-140	40-70	130-150	ZDS42-6	2.2×2
ZLG7.5×0.75	5.625	70-140	40-70	150-180	ZDS51-6	3.0×2
ZLG7.5×0.9	6.75	70-140	40-70	160-210	ZDS51-6	3.0×2
ZLG7.5×1.2	9	70-140	40-70	200-260	ZDS51-6	3.0×2

# More Photos





Changzhou

Dryer

CO., LTD